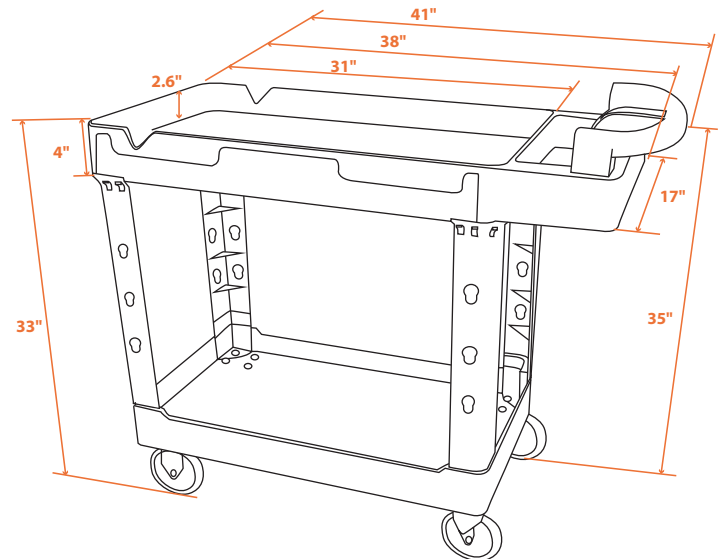


ITEM NO. CART4117E-C

**41" x 17"**  
**SHELF**

## 2-SHELF SERVICE CART with **V-CUT**



- Cart size: 41"x17"x35", 2.6" deep shelves
- 5" non-marking casters (2 fixed and 2 swivel)
- V-Cut securely holds materials for accurate measuring or cutting
- Tough polypropylene structural foam construction
- Ergonomic handle for comfort and ease of use

|                        |                    |
|------------------------|--------------------|
| <b>Load Capacity:</b>  | 500 LB             |
| <b>Item Size:</b>      | 41"L x 17"W x 35"H |
| <b>Item Weight:</b>    | 31 LB              |
| <b>Shelf Depth:</b>    | 2.6"               |
| <b>Shelf Quantity:</b> | 2                  |
| <b>UPC:</b>            | 782156064548       |